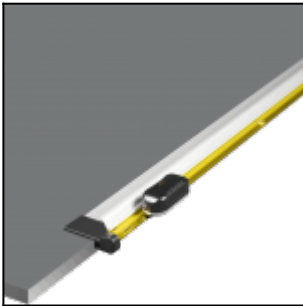




The hard-working, space-saving rotary cutter

The table edge (TE) version of the Technic Advanced Rotary Cutter (ARC), fits onto the edge of your work surface to create the ideal cutting platform.

It has all the superior paper and film cutting properties of the Technic ARC but will fit neatly to the edge of your bench leaving your work surface unobstructed for other activities.



Materials cut

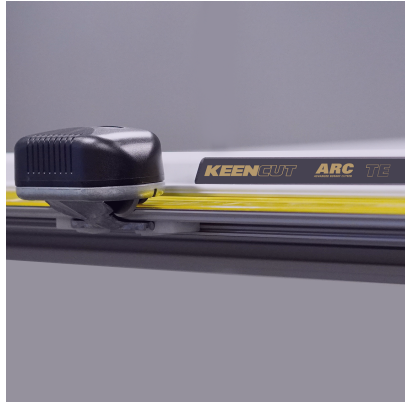
Semi-rigid materials

Cardboard $\leq 1\text{mm}$ (0.004")
Mountboard $\leq 1\text{mm}$ (0.004")

Flexible materials

Paper
Tissue paper
Film
Self-adhesive vinyls





Straight accurate cutting

The superior construction guarantees that the cut is consistent over the entire length of the material, assuring that there are no bows or buckles in the middle, whilst the two integral roller clamps guarantee secure clamping during cutting.

Two way cutting

The Technic ARC TE has dual cutting wheels to provide the flexibility of cutting in both directions. High grade blades, made from hardened tool steel, guarantee the sharpness required for perfect cutting.



Clear view of the cutting line

The unique monorail bearing system, positioned underneath the surface, means that there is no overhead guide rail to obscure the cut line.

Safety by design

The advanced monorail design eliminates the instability of overhead rail cutters and the potential risk of standard paper guillotines. The Technic ARC TE will not distort even under heavy pressure.



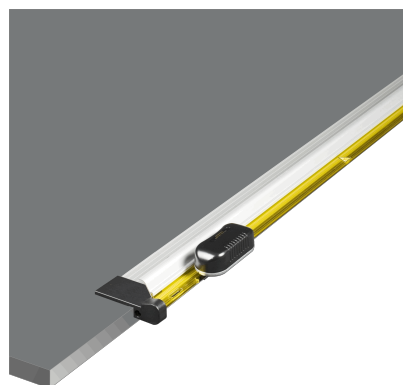


Turns your worktop into a cutting table

The Technic ARC TE has been specifically designed to turn even the most ordinary workbench into a convenient cutting table. By fitting neatly to the edge of the bench the Technic ARC TE is always available for use without interfering with other tasks.

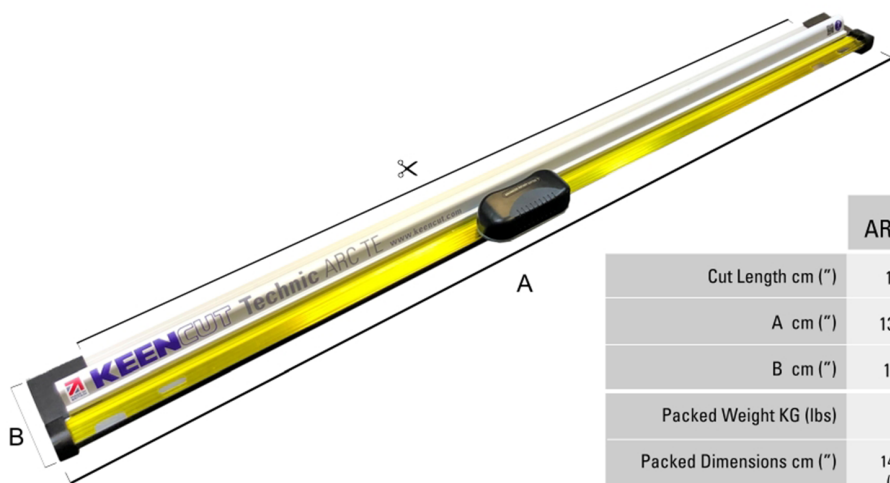
Five year guarantee

By manufacturing in-house, with only the highest quality materials, Keencut can guarantee that the Technic ARC TE will provide reliable long-lasting and accurate service. All Keencut products are offered with a comprehensive five year guarantee. [Register your product to activate your guarantee >](#)



In the box

The Technic ARC TE works straight from the box. It does not need any additional blades or fittings.



	ARCTE100	ARCTE150	ARCTE200	ARCTE250	ARCTE300
Cut Length cm (")	100 (40)	150 (59)	200 (79)	250 (98.5)	300 (118)
A cm (")	133 (52.5)	179 (70.5)	231 (91)	280 (110.25)	332 (130.75)
B cm (")	13 (5.25)	13 (5.25)	13 (5.25)	13 (5.25)	13 (5.25)
Packed Weight KG (lbs)	4 (9)	5 (11)	6.5 (14)	23 (51)	27.5 (61)
Packed Dimensions cm (")	143x17x16 (56x7x6)	189x17x16 (74x7x6)	213x17x16 (84x7x6)	288x20x18 (113x8x7)	338x20x18 (133x8x7)

